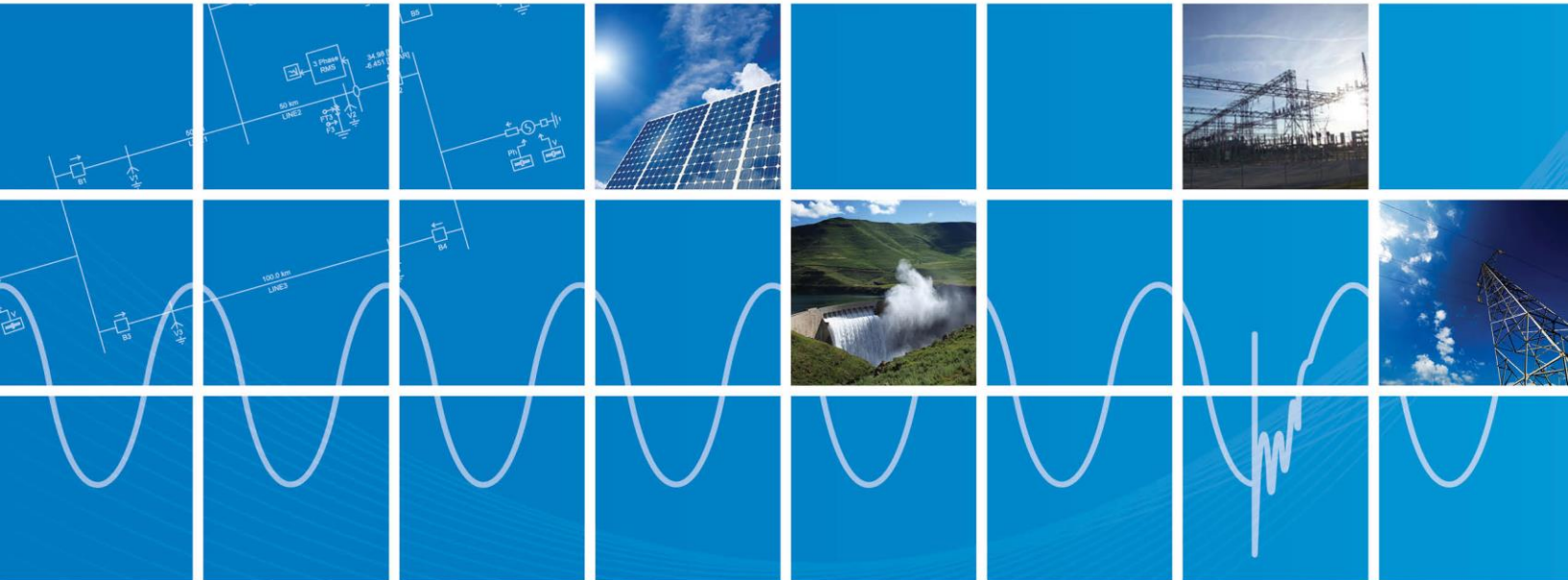


PRSIM User Manual

Written for PRSIM (Power System IMporter) Version 1.0

September 2, 2020

Revision 1



CONTENTS

CONTENTS1

1. OVERVIEW	1
2. DATA EXPORT	2
3. DATA IMPORT	3
3.1. NETWORK TABLE.....	4
3.2. DYNAMIC DATA	5
4. SYSTEM SCHEMATIC DEVELOPMENT	6
5. PSCAD CONVERSION	9
6. MULTIPOINT NETWORK EQUIVALENT	12
7. DYNAMIC DEVICES	14
8. TRANSMISSION LINES	16
9. PSCAD USER LIBRARY	18
9.1. GLOBAL SUBSTITUTION	18
9.2. SINGLE COMPONENT SUBSTITUTION.....	19
9.3. LOCAL NAME IDENTIFICATION AND SUBSTITUTION.....	19
10. RUNNING PSCAD CASE	20

1. OVERVIEW

PRSIM import tool is capable of converting PowerFactory DigSILENT (PFD) and PSSE network data to PSCAD format which may be used to conduct electromagnetic transient simulation studies. Therefore, PRSIM bridges the gap in transition from phasor to EMT domain platforms.

2. DATA EXPORT

DGS version “6.00” with “XML File” format is used to export the network information from PowerFactory. On the PSSE side, RAW files version 33 and older are supported. To export the network information the PFD or PSSE user must activate a case and execute the loadflow calculations and then save the loadflow results in one of the supported versions.

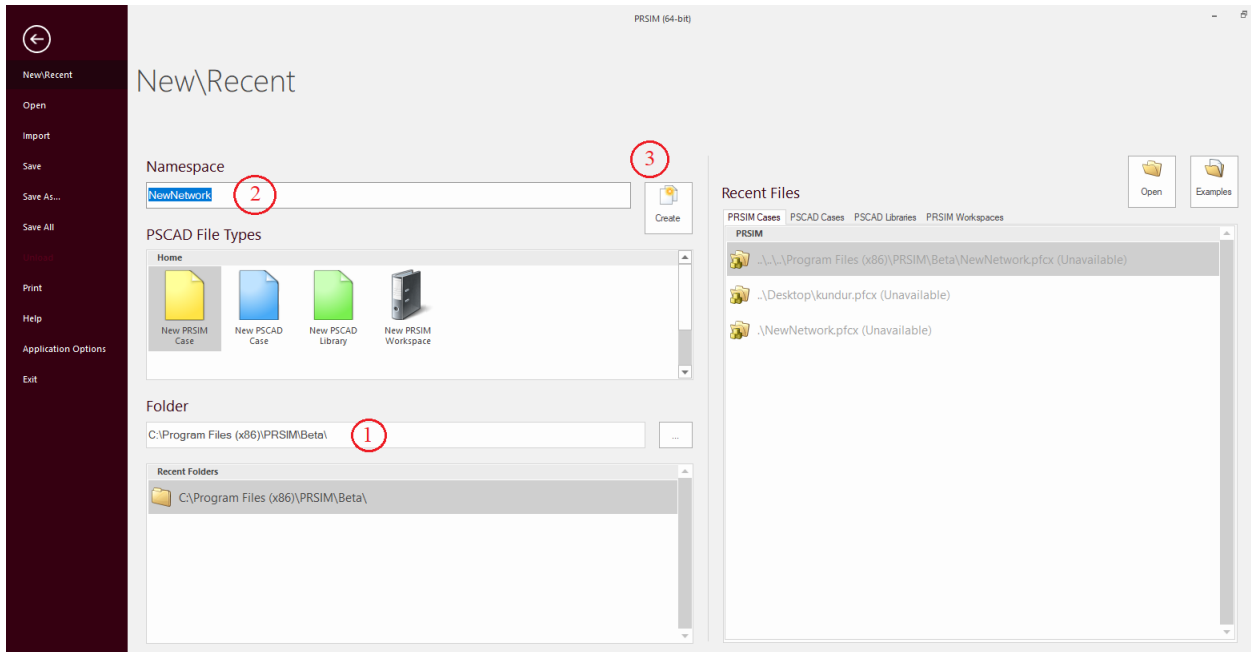
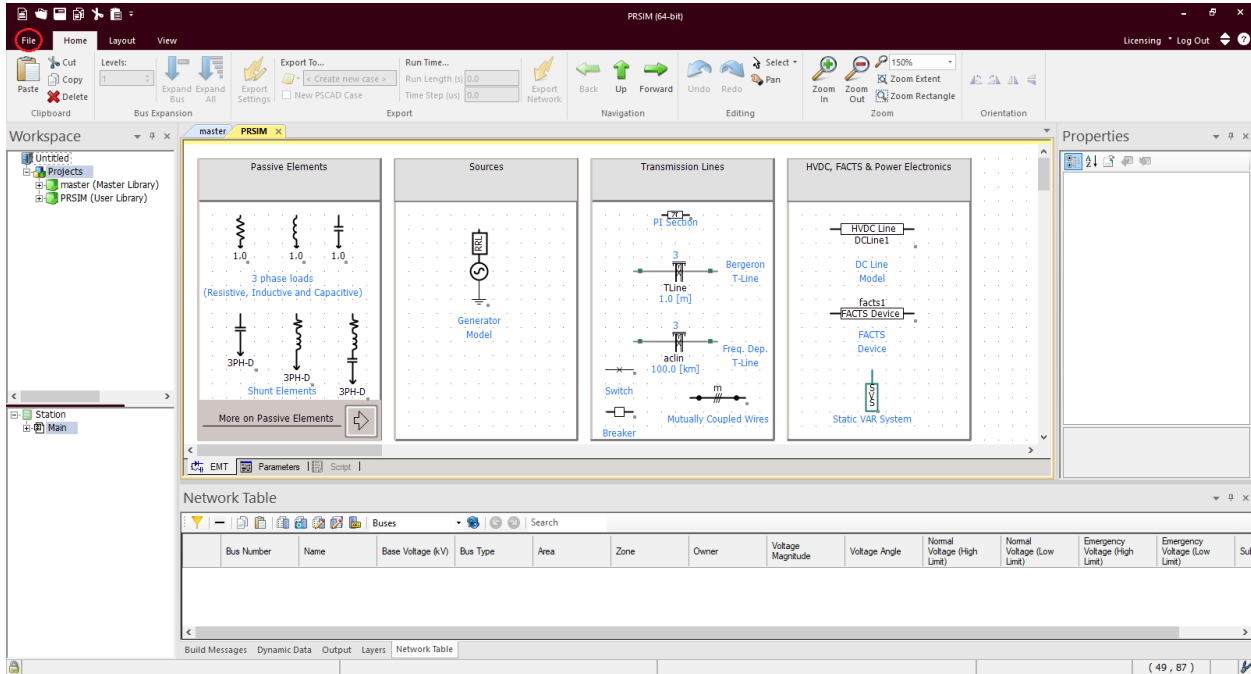
Loadflow results will be used later in PRSIM case to initialize PSCAD components guaranteeing the same steady state operating point.

For PFD users, to export the generated loadflow results and the parameters being used in each component a definition file is provided in PRSIM support folder named “DGS Export Definition 5”. Users must import the definition file into their PFD database and may see a list of all PFD parameters being chosen for each element to be exported for PSCAD translation. This may be done by selecting the definition file during export. Once the user executes the export process using the provided definition file an “XML” file will be generated to be used by PRSIM.

RAW format 33 is preferred for exporting the loadflow results from PSSE. Bus locations, dynamic information for synchronous machines, and sequence data for various elements of the circuit may be exported using LOC, DYR, and SEQ files respectively. The generated RAW, DYR, SEQ and LOC files may be used to translate PSSE information into PSCAD.

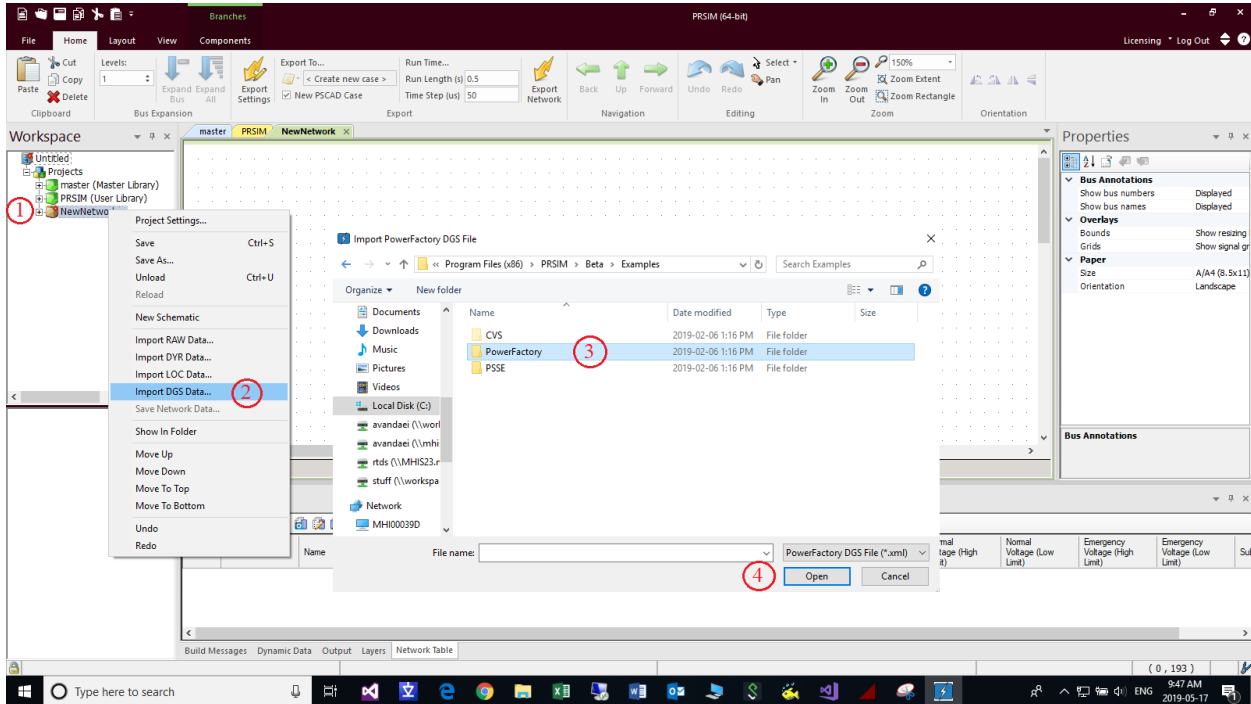
3. DATA IMPORT

To start the translation process user must open PRSIM software which may be done through “MyUpdater”. The generated file may then be imported into PRSIM. For this purpose user must first add a “NEW PRSIM Case” in the project folder under “File” tab of PRSIM.



By selecting “Create”, a new PRSIM file will be added to the workspace tree where users may load their generated XML or RAW files. For most of IEEE standard cases, XML and RAW files are generated and

provided to the users under example folders of PRSIM. To load such files users may right-click on the PRSIM case, select “Import DGS Data” or “Import RAW Data”, and open the corresponding files as shown below.



By importing the DGS or PSSE file into PRSIM case, a set of data rows will be generated under either “Network Table” or “Dynamic Table” categories to represent all types of electric components being present in the case study.

3.1. Network Table

Using IEEE 9 bus XML/RAW file for import, user may switch between all available circuit elements by selecting the dropdown list and choosing the component type. BUS table is presented here as an example. Such tables will allow users to double-check the imported data if needed.

Bus Number	Name	Base Voltage (kV)	Bus Type	Area	Zone	Owner	Voltage Magnitude	Voltage Angle	Normal Voltage (High Limit)	Normal Voltage (Low Limit)	Emergency Voltage (High Limit)	Emergency Voltage (Low Limit)
24	Bus_1	16.5	PV Bus	-- None --	-- None --	-- None --	1.04	0	1.1	0.9	1.1	0.9
25	Bus_2	18	PV Bus	-- None --	-- None --	-- None --	1.03415	9.1315	1.1	0.9	1.1	0.9
26	Bus_3	13.8	PV Bus	-- None --	-- None --	-- None --	1.03261	5.0021	1.1	0.9	1.1	0.9
27	Bus_4	230	PQ Bus	-- None --	-- None --	-- None --	1.02801	-2.2092	1.1	0.9	1.1	0.9
28	Bus_5	230	PQ Bus	-- None --	-- None --	-- None --	1.00427	-3.6748	1.1	0.9	1.1	0.9
29	Bus_6	230	PQ Bus	-- None --	-- None --	-- None --	1.01677	-3.5656	1.1	0.9	1.1	0.9
30	Bus_7	230	PQ Bus	-- None --	-- None --	-- None --	1.0348	3.6688	1.1	0.9	1.1	0.9

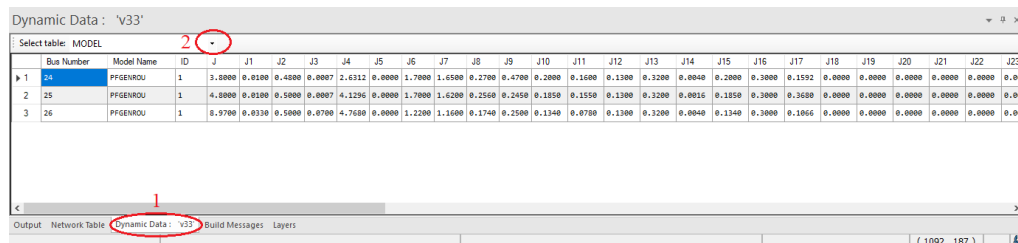
Network tables represent the information extracted from DGS/PSSE files. To generate a PSCAD case based on such tables, user must draw at least one bus during network expansion and then the rest of the network will be replaced automatically with its multiport equivalent. This step will be further explained in the following sections.

The following categories are the most important ones being considered for importing DGS/PSSE information under network data:

- Case Identification
- Buses
- Loads
- Fixed Shunts
- Switched Shunts
- Generators
- AC Lines
- Transformers (2 Winding)
- Transformers (3 Winding)
- FACTS Devices
- Induction Machines
- Areas
- Area Transfers
- Zones
- Owners
- Subpages

3.2. Dynamic Data

In presence of dynamic information, a second category named “Dynamic Data” will be used for representing the imported dynamic information in a table format as shown below.



Bus Number	Model Name	ID	J1	J2	J3	J4	J5	J6	J7	J8	J9	J10	J11	J12	J13	J14	J15	J16	J17	J18	J19	J20	J21	J22	J23
1	PFGENROU	1	3.0000	0.0100	0.4000	0.0007	2.6312	0.0000	1.7000	1.6500	0.2700	0.4700	0.2000	0.1600	0.1300	0.3200	0.0040	0.2000	0.3000	0.1552	0.0000	0.0000	0.0000	0.0000	0.00
2	PFGENROU	1	4.0000	0.0100	0.5000	0.0007	4.1296	0.0000	1.7000	1.6200	0.2500	0.2450	0.1850	0.1550	0.1300	0.3200	0.0016	0.1850	0.3000	0.3600	0.0000	0.0000	0.0000	0.0000	0.00
3	PFGENROU	1	8.9700	0.0330	0.5000	0.0700	4.7688	0.0000	1.2200	1.1600	0.1740	0.2500	0.1340	0.0700	0.1300	0.3200	0.0040	0.1340	0.3000	0.1866	0.0000	0.0000	0.0000	0.0000	0.00

Since both dynamic and network data are included in the exported DGS file from PowerFactory, the user is expected to import data only once. However, for a PSSE file, users must separately import dynamic information by selecting “Import DYR data”.

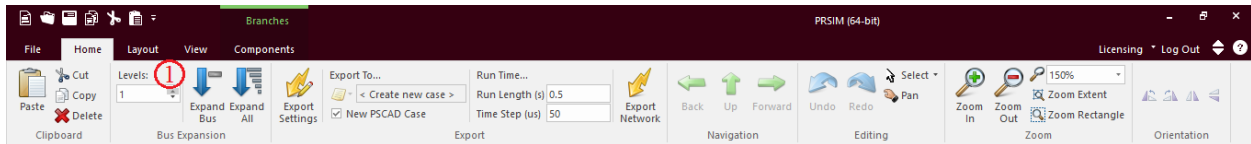
Following components, as the most common dynamic elements being used in PowerFactory and PSSE, are considered to be imported into the dynamic data tables:

- Salient pole synchronous machine
- Round rotor synchronous machine
- Exciter
- Turbine
- Governor
- Power system stabilizer

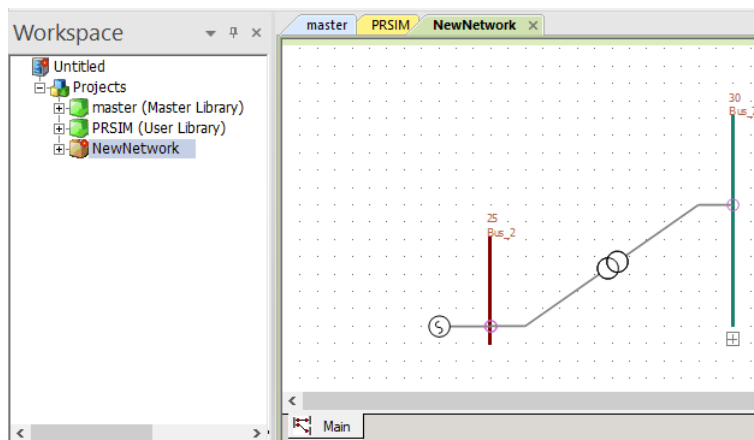
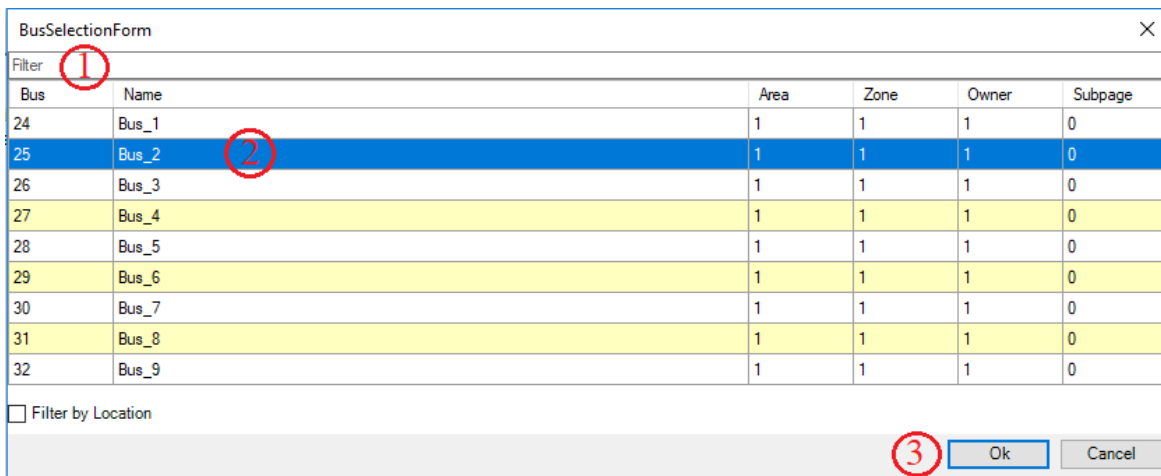
4. SYSTEM SCHEMATIC DEVELOPMENT

In this section development of single line diagram (SLD) for a given network is introduced. The IEEE9Bus data table imported in the last section is used for expansion purposes.

The most convenient method for bus expansion may be achieved through the “Home” tab as illustrated below.



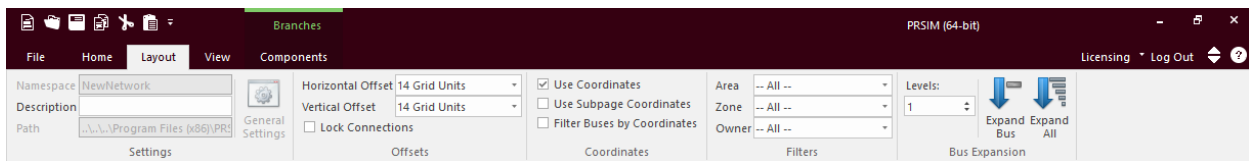
To expand part of an imported network, users may click on “Expand Bus” and select the first bus to start the expansion with. This will take users to a pop-up window named “BusSelectionForm” where they have access to a list of all the buses available for expansion. Filtering will further help users to search for their desired buses in case of a large system. Once the appropriate bus is selected, it may be transferred to the PRSIM canvas for conversion to PSCAD by clicking on “OK”. This action will exclude the expanded buses from the “BusSelectionForm” and places them on the PRSIM case canvas.



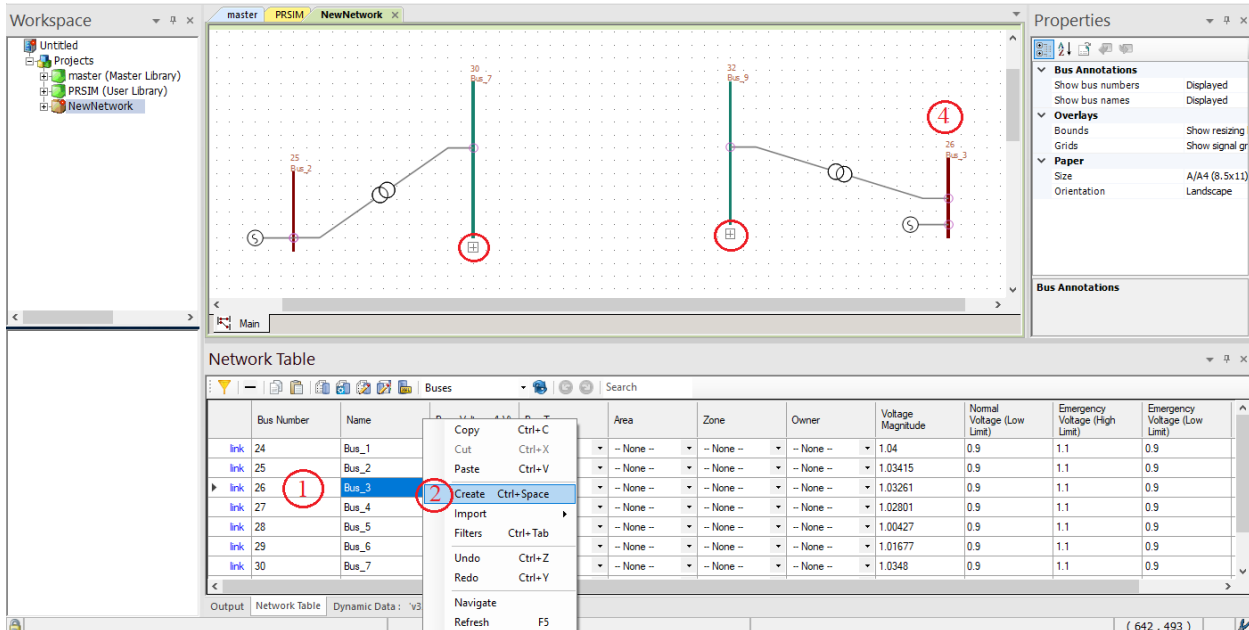
If users desire full expansion of the system, they may click on “Expand All” and then select one of the available buses to start the process with.

More advanced bus expansion options are available under “Layout” tab:

- Applying desired drawing settings from a dropdown list to achieve the right scaling under “Offsets”;
- Loading bus coordinates information which is always exported in DGS file by marking the “Use Coordinates” checklist. Similarly, subpage coordinates may be applied for network expansion;
- Relying on area, zone, or owner information in a dropdown list from “Filters” section for expansion purposes;
- Selecting a single bus based on its name or number and the desired level of expansion from it by checking the available options from a dropdown list;
- Expanding a single bus by selecting “Expand Bus” or all parts of the network by “Expand All”. If coordinates are not available for any reasons, bus expansion continues toward lower end of the PRSIM canvas from its starting point.



Filling the data table with the information from DGS or PSSE file, the user may also draw a single line schematic for a specific part of the system as shown below.



This may be done in four steps:

1. Selecting a “BUS” in the Network Table;
2. Right-clicking on the row for the desired bus and selecting “Create”; (Bus 3 is selected here to be drawn on the PRSIM canvas)
3. Dropping the appeared bus schematic on a desirable point of PRSIM canvas doing a left-click (Step 3 will be done automatically in presence of coordinate information);
4. Automatic generation of the selected bus on the PRSIM canvas along all the components and buses connected to it.

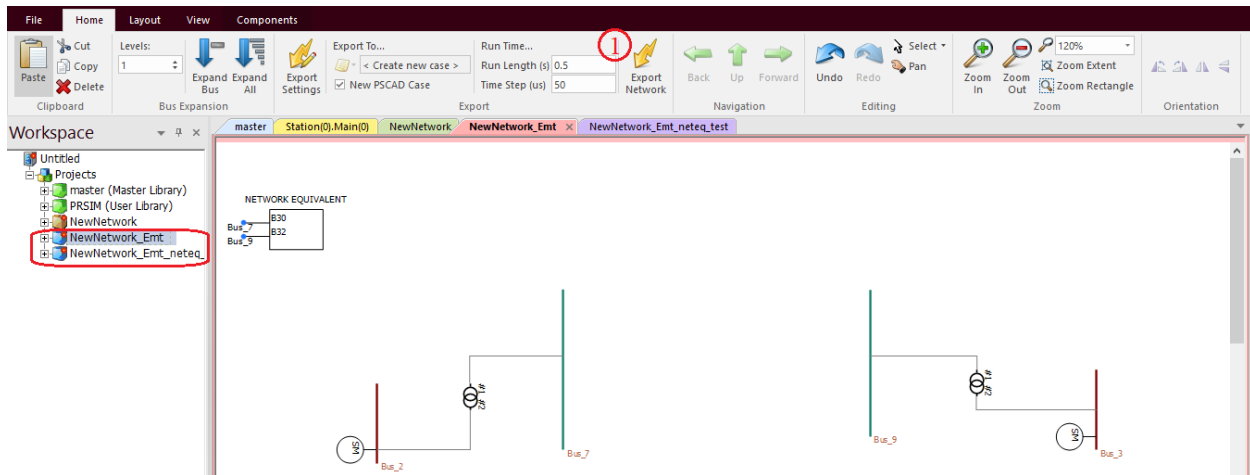
Further expansion of the system is possible on PRSIM canvas by clicking on the plus sign wherever it appears beside a bus bar.

*Coordinate information can be used to automate the bus expansion process. System coordinate is automatically added to the XML file during export. Therefore, when the XML file is imported, users may rely on the system coordinate information to automatically place the buses on the PRSIM canvas. To have access to similar information in PSSE, users must export the bus location information through a LOC file and then import it into PRSIM to be used during bus expansion.

When the user is satisfied with the expansion level of the system, a PSCAD case may be generated.

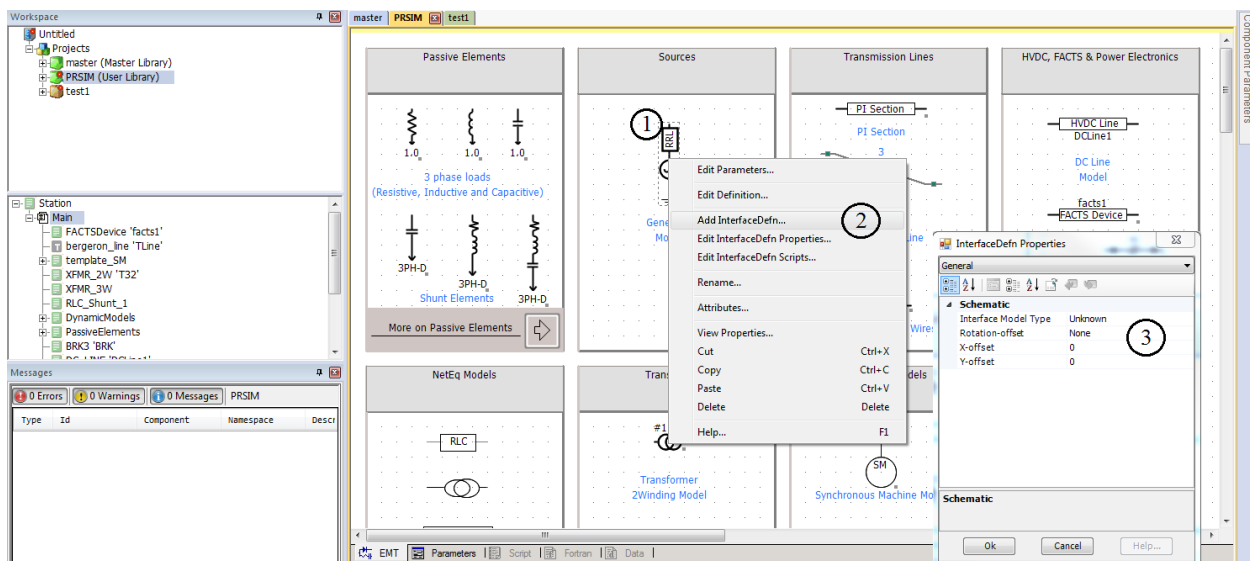
5. PSCAD CONVERSION

Generating a PSCAD case may be done automatically by selecting “Export Network” which will translate the PFD/PSSE information into an EMT case. In this case, default settings will be applied for exporting the network data. A detailed explanation for all available options under “Export Settings” will be provided in the following sections.

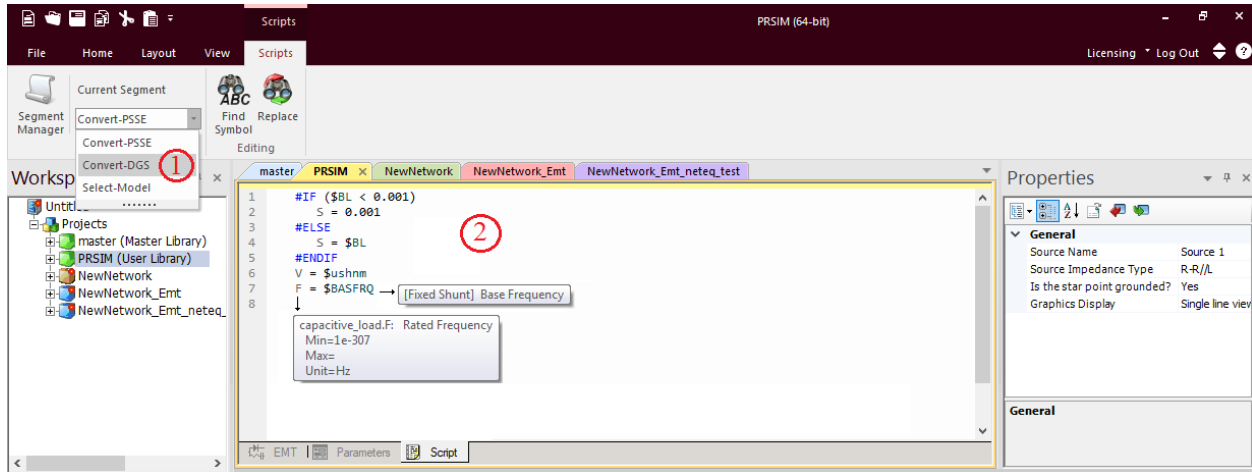


By clicking on “Export Network” icon, a script starts running for each component to read the data from the tables and transfer it to the corresponding EMT components. The remaining parts of the network, which are excluded from PRSIM canvas, will be represented by network equivalent circuit on PSCAD side.

For adding a script to a developed model in PRSIM user library, one may simply right-click on the model, select “Add InterfaceDefn...”, and assign the right properties to interface definition as shown below. Currently, all the existing models are accompanied by such interface definitions to hold pre-written scripts.



Once the interface definition properties are confirmed, the user may get access to the script by selecting “Edit InterfaceDefn Scripts...” when right-clicking on a component for a second time. For a simple component such as a capacitive fixed-shunt load, the script will be as simple as reading susceptance, base voltage, and base frequency values and mapping them to their corresponding parameters in the PSCAD model as shown below.



To add the script for conversion from DGS data, user must select “Convert-DGS” for Current Segment under “Scripts” tab and “Convert-PSSE” for PSSE part.

For improving the user experience while writing such scripts, tool tips are added to help the users with identifying PowerFactory/PSSE and PSCAD parameters’ names, units, and descriptions. PowerFactory/PSSE and PSCAD parameters must be entered on the right-hand and left-hand sides of an equation respectively. For example, if the user keeps the mouse pointer on the parameter F, an information box will appear identifying F as the rated frequency for a capacitive load with a minimum value of 1e-307 and a unit of Hz. However, keeping the mouse pointer on parameter BASFRQ will expose the base frequency information of a fixed shunt PowerFactory/PSSE component to the users. All such scripts are provided for the most common electric components being used in both PowerFactory and PSSE to guarantee matching loadflow results between the two and PSCAD simulation platform. However, users may further modify these scripts to address their specific requirements.

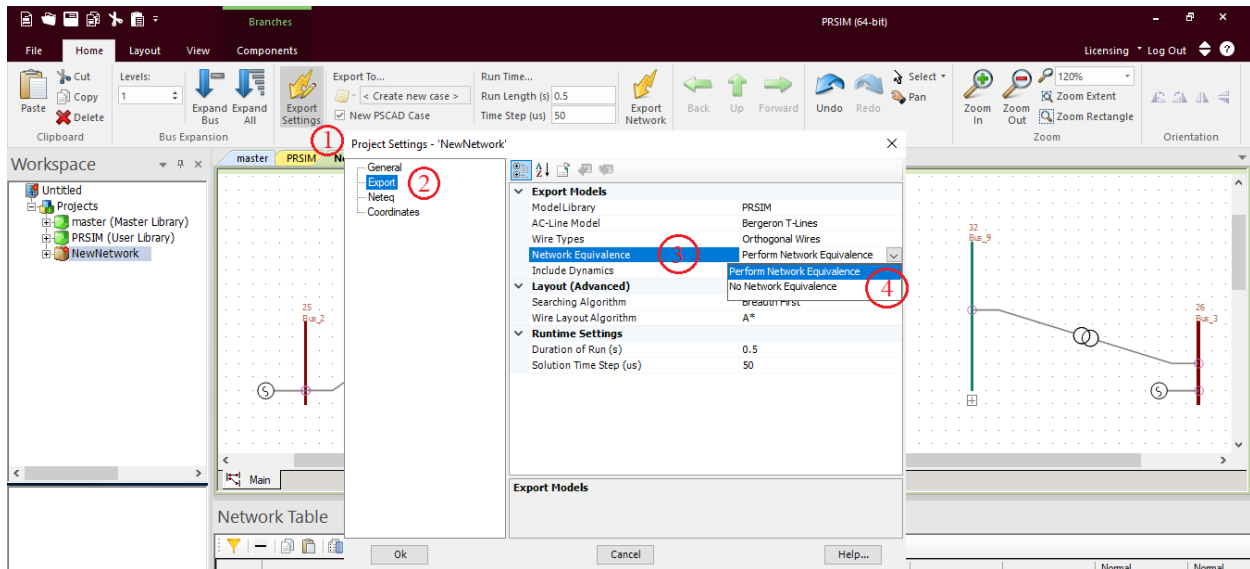
When multiple definitions are available for a specific type of component and they must be selected based on a known logic, “Select-Model” script may be added to the component to switch between such definitions. AC transmission line is one of such electric components with a need for model selection script as shown below.

```
master PRSIM x NewNetwork NewNetwork_Emt NewNetwork_Emt_neteq_test
1 #IF ($dgs_elem .NE. 1)
2
3     DEFINITION = master:rtcbranch
4
5 #ELSEIF ($BREAKER == 1)
6
7     DEFINITION = PRSIM:BRK3
8
9 #ELSEIF ($B == 0 && sqrt($R*$R + $X*$X) <= 0.0001)
10
11     DEFINITION = PRSIM:Zero_Imp
12
13 #ELSEIF ($B == 0)
14
15     DEFINITION = master:coupled_3lines
16
17 #ELSEIF ($BERGERON == 0 || ($R <= 0 || $X <= 0 || $B <= 0 || sqrt($X * $B) / (2 * PI * $BASFRQ) <= $Timestep * 1e-6))
18
19     DEFINITION = PRSIM:newpi
20
21 #ELSE
22
23     DEFINITION = PRSIM:bergeron_line
24 #ENDIF
25
```

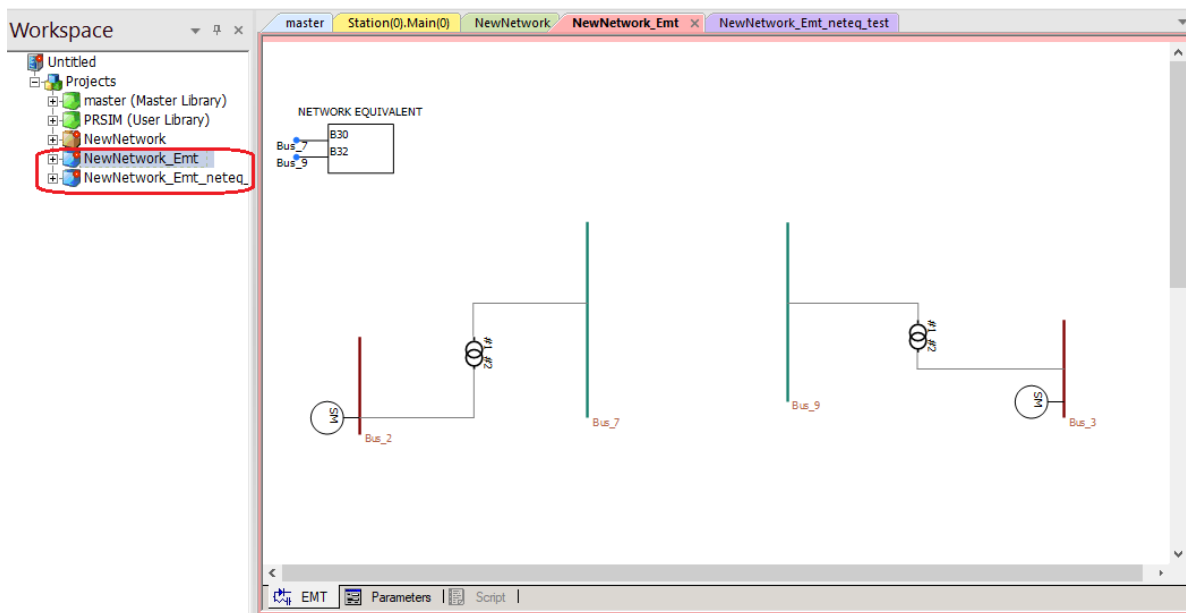
Depending on the source of the information being used to feed the AC transmission line table in PRSIM, series RLC branch, circuit-breaker, and various types of an AC line may be modelled. For example, if the component being imported from PowerFactory/PSSE is an AC transmission line, the model selection script will skip RLC branch, circuit-breaker, and zero-impedance component. Then, depending on the parameters of the AC line, one of the three available definitions for an AC line will be selected; mutually coupled, PI section, or Bergeron line.

6. MULTI-PORT NETWORK EQUIVALENT

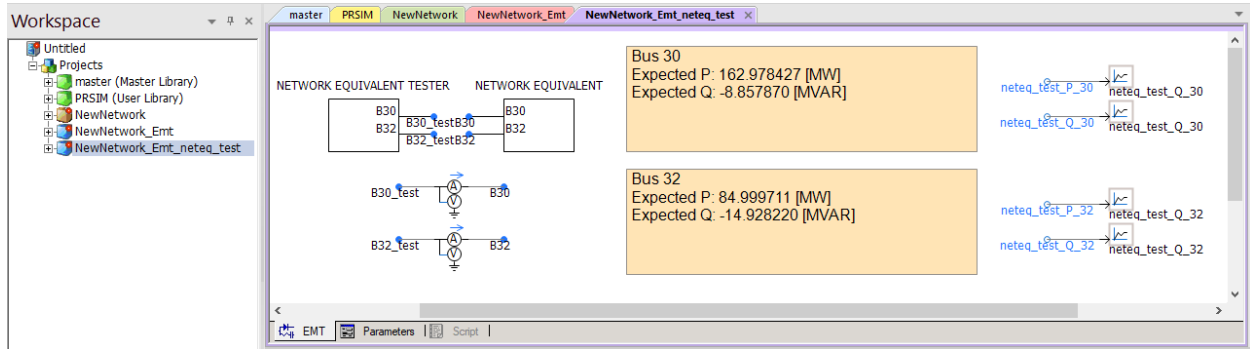
In previous sections, the IEEE9Bus system was expanded to a user-defined level which included only bus numbers 1 and 4. Therefore, there is a need for a multiport network equivalent to represent the rest of the network. For this purpose, user must select “Export Settings” under the Home tab as shown below.



A pop-up window will provide access to Project Settings for the generated PRSIM case. By selecting “Export” and then “Network Equivalence”, the user may choose to perform Network Equivalence from a dropdown list. Once “Perform Network Equivalence” option is marked, user may generate the PSCAD model by clicking on “Export Network”. Network equivalent will appear as a module with a single or multiple ports representing the connection points to the rest of the system at boundary buses.

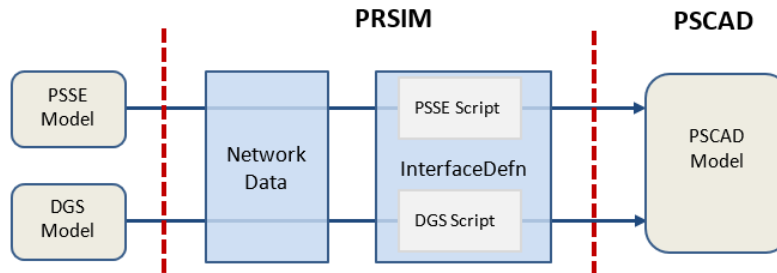


To investigate the accuracy of generated Network Equivalent module, users may choose to generate a test case during export. As the name “EMT_neteq_test” represents, such a case will be generated automatically if selected to test the accuracy of Network Equivalent module separately as shown below.

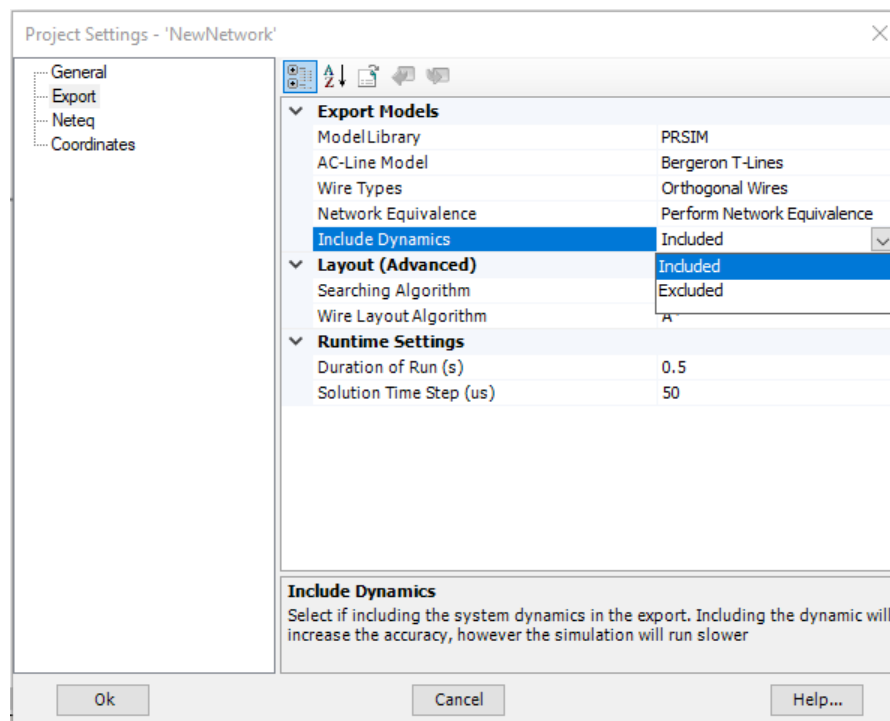


7. DYNAMIC DEVICES

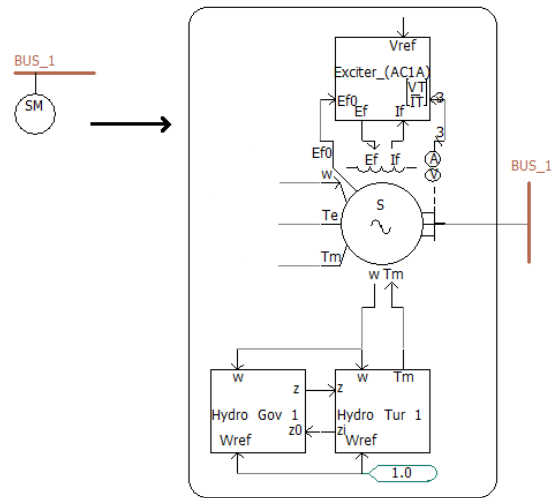
System dynamics may also be directly mapped to PSCAD using scripting method as shown below.



If the exported DGS file from PowerFactory or DYR file from PSSE contains any dynamic information, dynamic tables will be updated with such data during import process. To transfer dynamic information from relevant tables, user must include system dynamics in the export settings and finally click on “Convert Network”. This option is automatically activated in presence of dynamic information.



Applying system dynamics will replace a network element such as ideal AC source with its equivalent dynamic model which may be a combination of a synchronous machine, exciter, turbine, and governor as shown below.



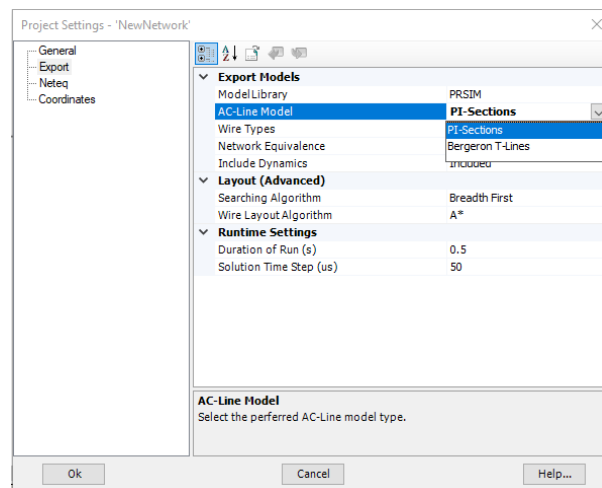
Scripts may be applied to customize behavior of any part of a dynamic model. As an example, the user may initialize the model at a desired time interval.

8. TRANSMISSION LINES

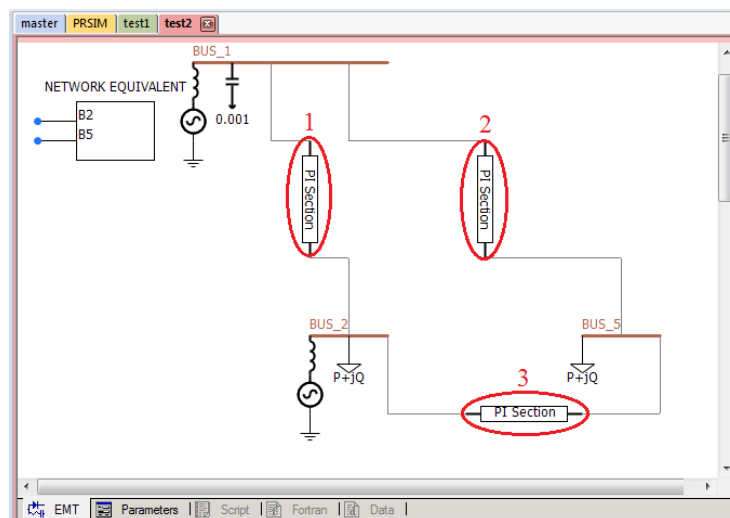
Two different types of transmission line models are included in PRSIM to be used in the generated PSCAD file; Pi section and Bergeron line. However, if the line capacitance is zero, a mutually coupled line will be used automatically to replace any of the two selected transmission line models.

It must be noted that users are not limited to these predefined models. They can rely on any other types of AC transmission line models such as frequency dependent available in PSCAD library and using them during conversion process based on methods introduced in the next section.

PI section is the first pre-defined AC transmission line model to be seen in the Export Settings. By selecting this type from “AC-Line Model” section and then converting the network as shown below, all transmission lines will be replaced with their PI section equivalents regardless of their actual length.

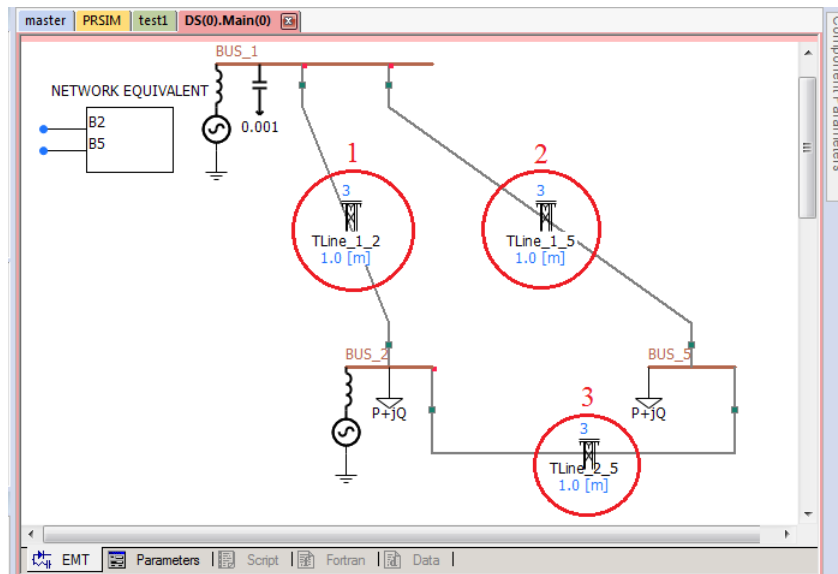


For IEEE14Bus system, selecting “PI-Sections” results in the following PSCAD case where all the transmission lines are represented by their PI section equivalent.



“Bergeron T-Lines” is the second option. If this option is selected, PRSIM replaces long AC transmission lines with their Bergeron equivalents whenever the travel time of the line is greater than the selected simulation time step which is accessible under “Runtime Settings” category under Export Settings. Otherwise, transmission lines will be replaced with PI sections automatically.

Selecting “Bergeron T-Lines” for mapping IEEE14Bus example to PSCAD, results in the following simulation case.



9. PSCAD USER LIBRARY

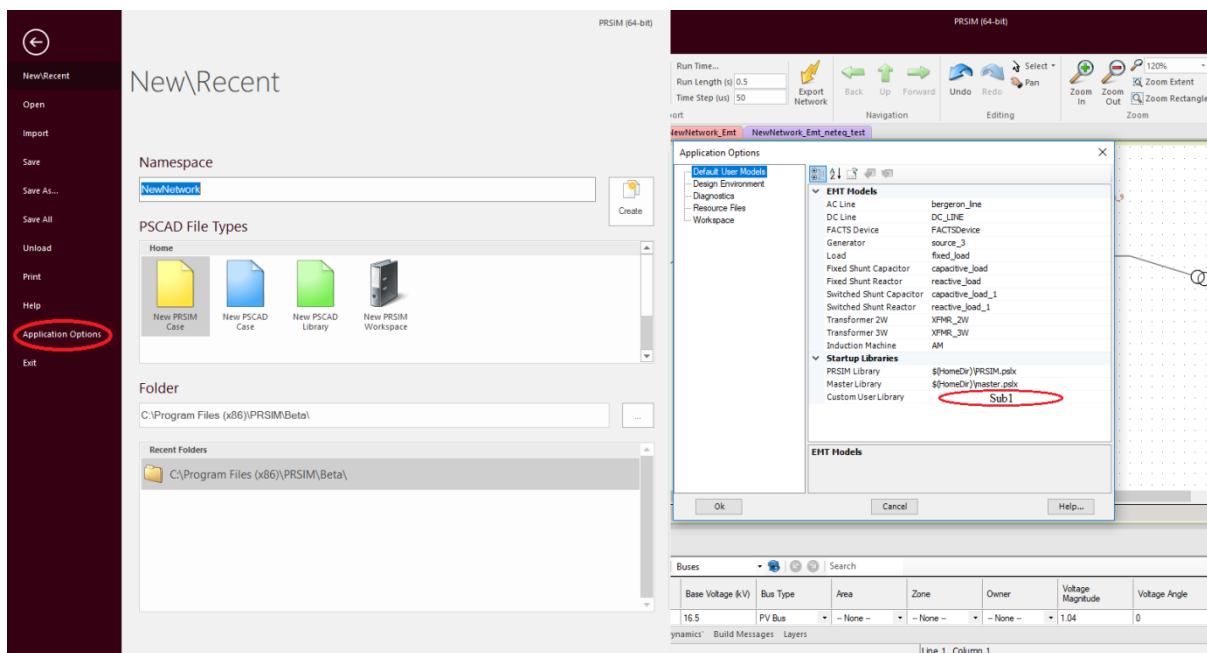
PRSIM provides “User library” feature that allows the user to replace the standard library components with custom models. The User library works with the PRSIM scripting engine to enable users to fully customize the models that are exported as well as the calculations of parameters for them. Custom models in the User library may include detailed page module components or black box components. One application of the user library is to replace standard generators with dynamic models including exciter, governor, and power system stabilizer components. Another application is considered here to replace the transmission line components with a detailed model including tower geometry and conductor information.

PRSIM User library can be used in three modes: global substitution, single component substitution, and local name substitution.

9.1. Global Substitution

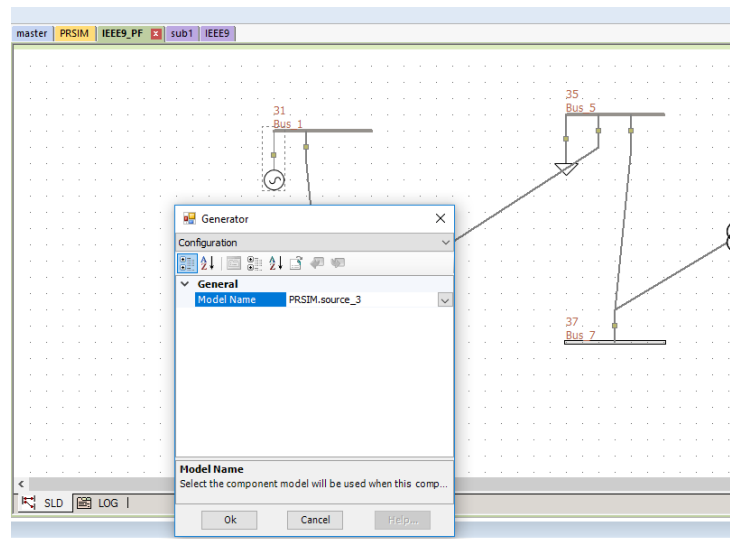
This feature substitutes all of the components from a user-defined PSCAD library. The substitution library after being developed must be loaded into PRSIM workspace tree. Then it may be selected through the Application Options dialog under File tab. By default, the PRSIM library is used as the main ‘look up’ library.

When a new library is added under “Custom User Library”, PRSIM will search the user library for any matching component definitions first when it starts exporting the power flow data. If a definition cannot be located in Custom User Library, PRSIM will refer back to its own library for finding a replacement.



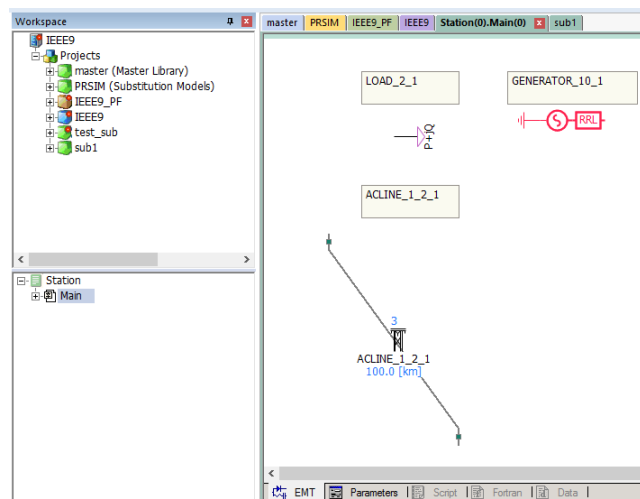
9.2. Single Component Substitution

Single component substitution is used when a custom model is needed as a replacement for only one of the components in the schematic. The single component substitution is available through the properties menu in the power flow schematic.



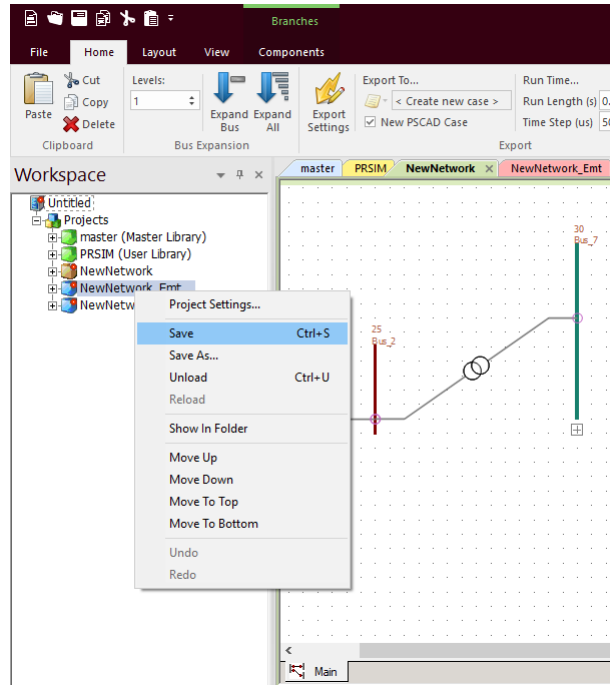
9.3. Local Name Identification and Substitution

Local name substitution is an alternative method for specifying custom components. The approach requires the user to create definitions according to PowerFactory element names (loc_name) or standard naming convention for PSSE. PRSIM will automatically pick the component that matches the local or standard naming convention.



10. RUNNING PSCAD CASE

To run the generated PSCAD file, user must first save the case as shown below.



The saved file may be reopened in PSCAD version 4.6 and user defined libraries from following directories must be loaded into the PSCAD workspace to be able to run the case.

- C:\Program Files (x86)\PRSIM\Beta\PRSIM.pslx
- C:\Program Files (x86)\PRSIM\Beta\psse_BB_library.lib
- C:\Program Files (x86)\PRSIM\Beta\PQ.lib

It must be noted that in the final version of PRSIM there will be no need for loading any libraries as all such files will be transferred to PSCAD Master Library.

Users may also automate this process during export by selecting their compiler type and embedding the definitions.

PRSIM users may also export their cases to PSCAD version 5.0, if needed.

DOCUMENT TRACKING

Rev.	Description	Date
0	Initial	3/July/2020
1	Minor improvements throughout	2/Sept/2020